



# COFFRAL

The Access Specialists!



AERIAL PLATFORMS



INDUSTRIAL RINGLOCK



GONDOLA



STAFLEX SHORING



SHORING JACKS



HEAVY DUTY SHORING



TRENCH SHORING



VERTICAL FORMWORK



CONSUMABLES



STORAGE



## Coffral Glass Fiber Reinforced Concrete Spacers (GRC Spacers)

**Glass Fiber Reinforced Concrete Spacers (GRC Spacers)** are produced "Inhouse" using our proprietary mix of glass fiber reinforced cement. They have been independently tested and exceed load requirements under standard working practices and show a material strength up to 50 N/sq.mm.

GRC Spacers are both strong and durable whilst still providing an excellent homogeneous bond that exhibits the same expansion characteristics as concrete and ensures correct, uniform spacing of the rebar supports during concrete pours. This is the best choice for heavy duty steel reinforced concrete applications such as slabs, beams, cast walls, and columns.

# Coffral Glass Fiber Reinforced Concrete Spacers

## KEY DEFINITIONS

### **Concrete Spacers**

produced by Coffral Thailand. These little concrete pieces are used to position the rebar in the correct spot. They are important for the optimum adhesion of the poured concrete.

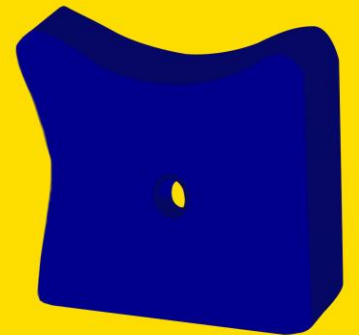


Glass Fiber Reinforced  
Concrete Spacers  
**(GRC Spacer)**

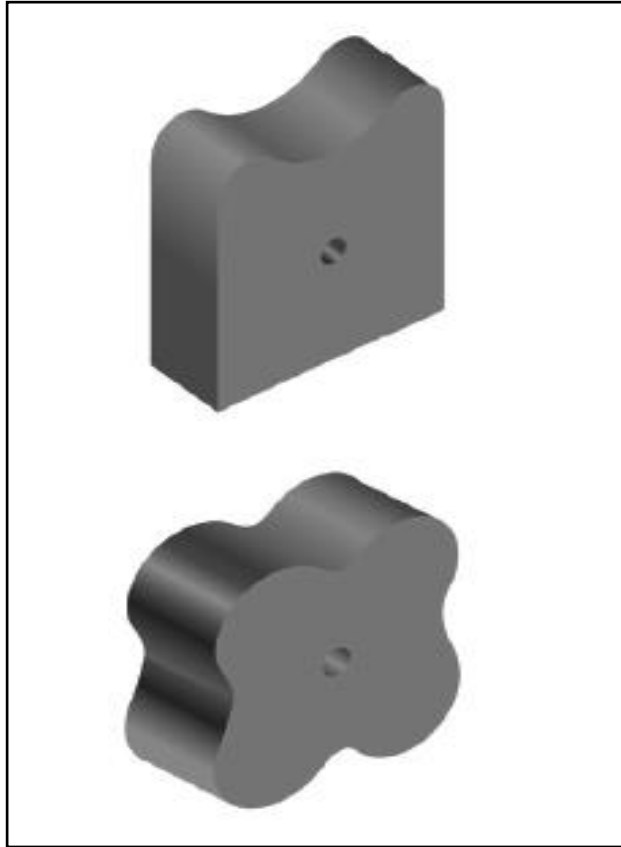


# Coffral Glass Fiber Reinforced Concrete Spacers

- Single Cover Spacers - Type SC/FC
- Double Cover Spacers – Type FB
- Double Cover Spacers – Type FS
- Triple Cover Spacers
- Applications



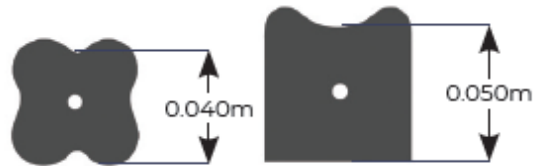
# Single Cover Spacers Type SC/ FC



## Single Cover Spacers - Type SC/FC

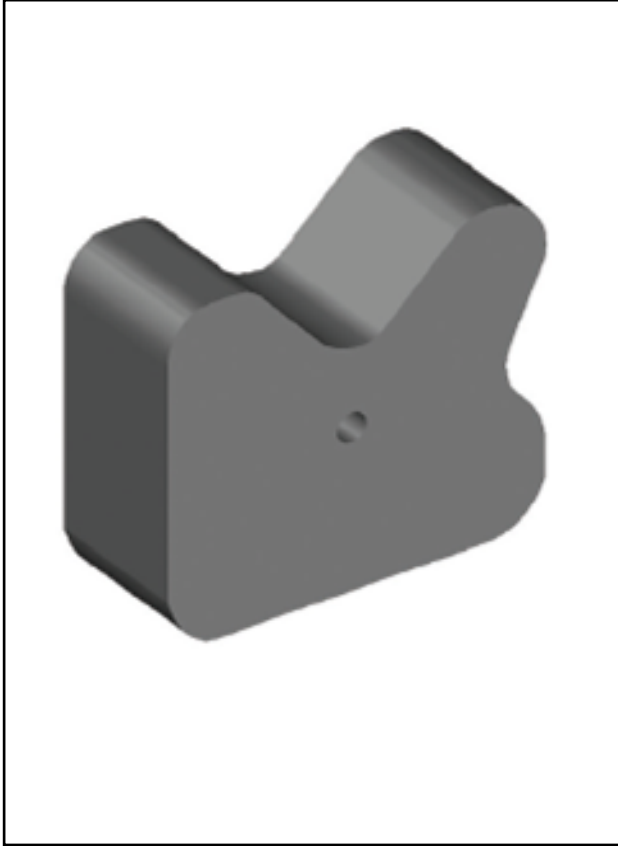
Features:

Single Cover Flat Based Spacers are suitable for heavy-duty structures such as foundations, railways, etc.



COVER (cm)	COMPUTER CODE	STD. PACK (pcs)	WEIGHT PER PACK (kg)
4.00	4000FC	300	28.00
5.00	5000SC	200	29.00
7.00	7000SC	100	27.00
7.50	7500SC	100	28.00

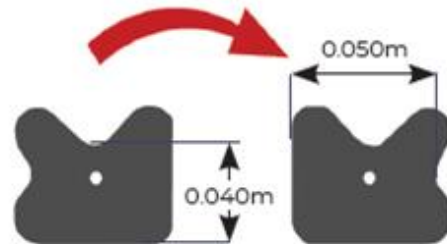
# Double Cover Spacers Type FB



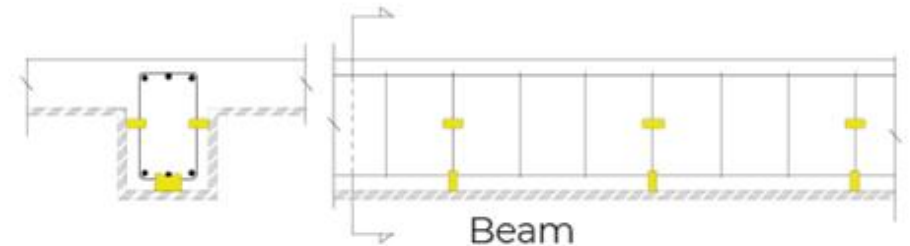
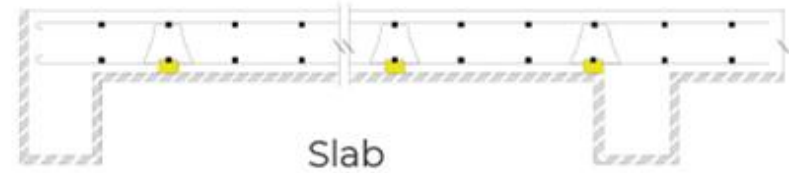
## Double Cover Spacers - Type FB

### Features:

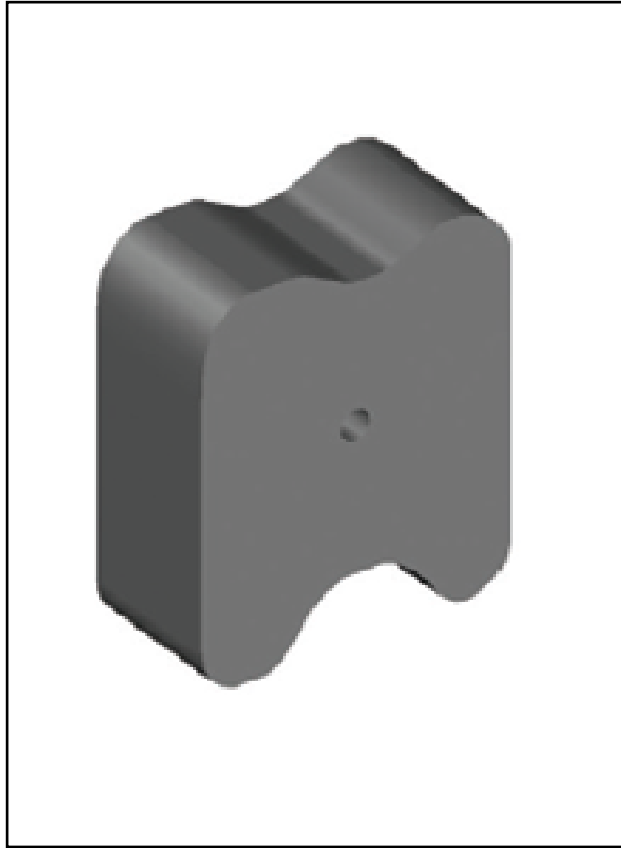
Double Cover Flat Based Spacers are recommended for supporting reinforcement in horizontal applications, i.e., slabs, beams, footings, etc.



COVER (cm)	COMPUTER CODE	STD. PACK (pcs)	WEIGHT PER PACK (kg)
2.00/2.50	2025FB	800	26.00
2.50/3.00	2530FB	500	28.00
3.00/4.00	3040FB	400	30.00
4.00/5.00	4050FC	200	23.00



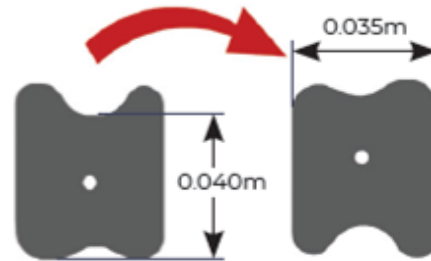
# Double Cover Spacers Type FS



## Double Cover Spacers - Type FS

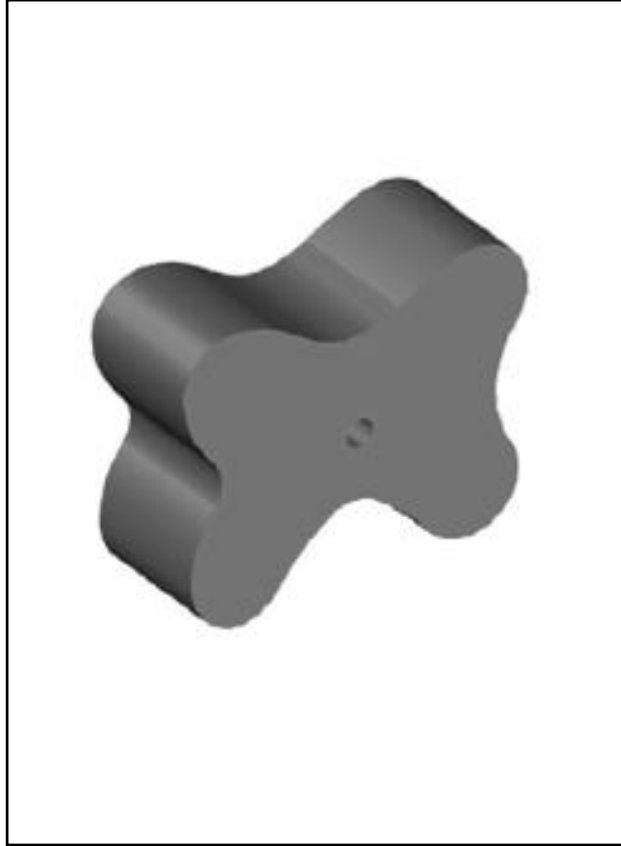
Features:

Double Cover Flat Sided Spacers that have the same applications as the FB type, however these are specially designed for concrete elements that require a high level of aesthetic finish.



COVER (cm)	COMPUTER CODE	STD. PACK (pcs)	WEIGHT PER PACK (kg)
2.50/3.00	2530FS	500	28.00
3.00/4.00	3040FS	400	28.00
3.50/4.00	3540FS	400	28.00

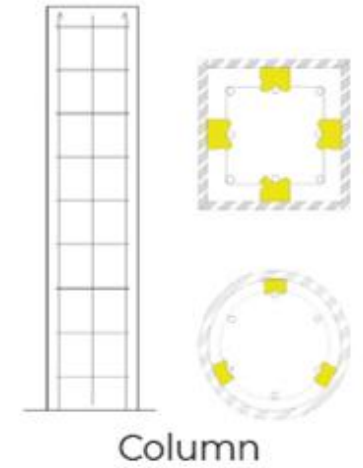
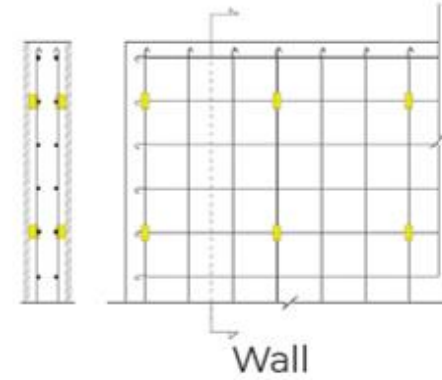
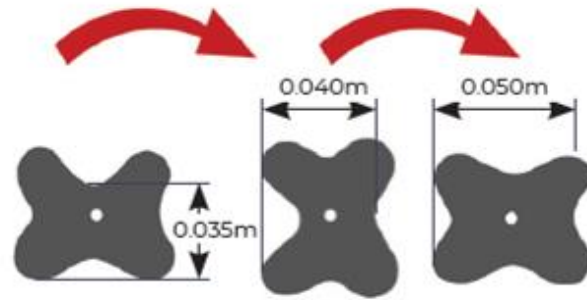
# Triple Cover Spacers



## Triple Cover Spacers

Features:

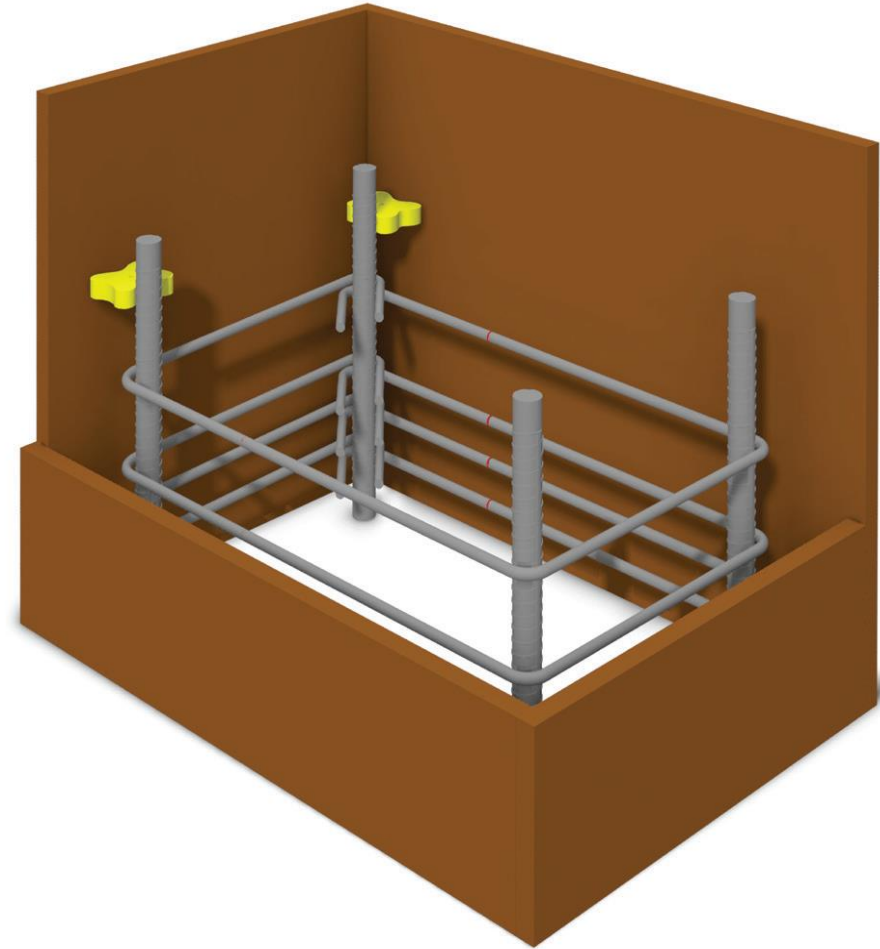
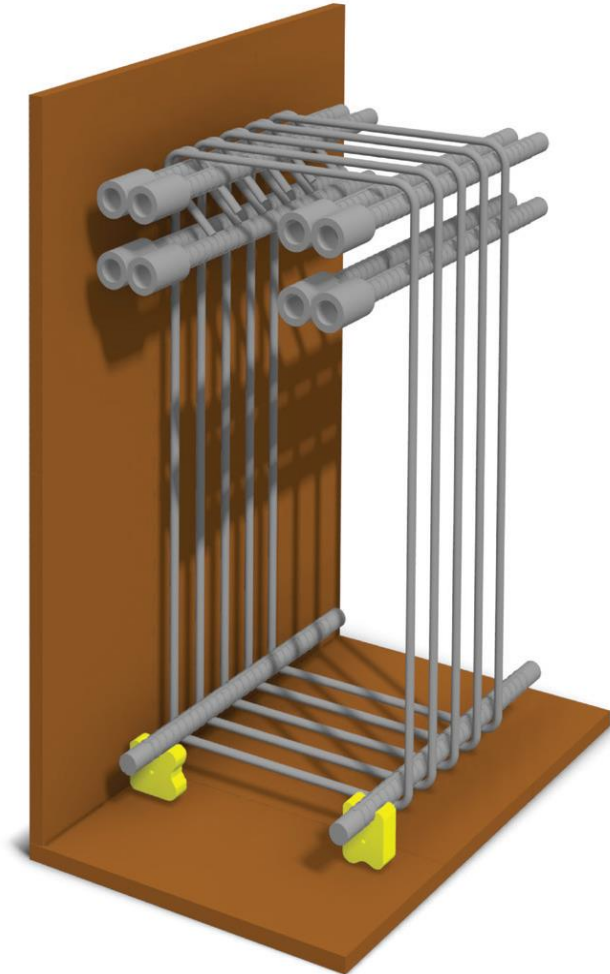
Triple Cover Spacers are used for positioning reinforcement in vertical applications, i.e., columns, walls, etc.



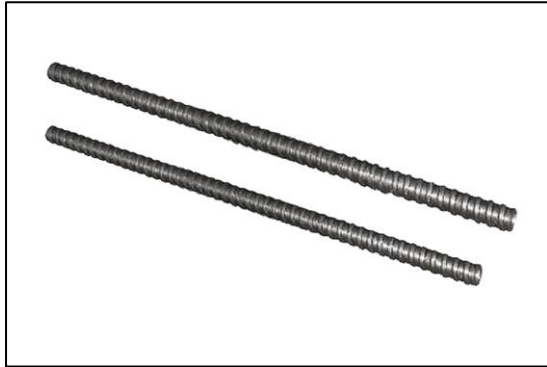
COVER VV(cm)	COMPUTER CODE	STD. PACK (pcs)	WEIGHT PER PACK (kg)
3.50/4.00/5.00	354050TC	250	26.00



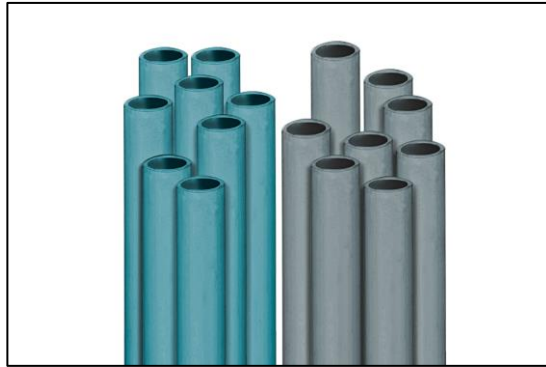
# GRC Spacers Application



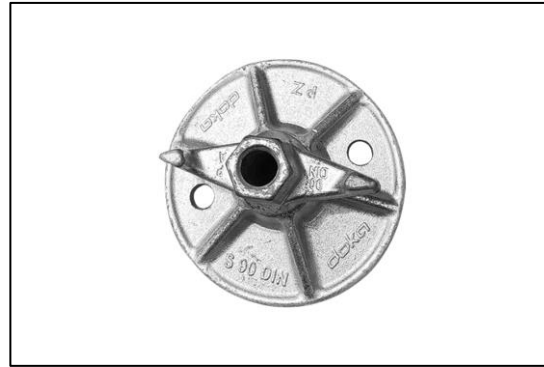
# Other Available Consumables



**Tie Rods**



**Plastic Tie Rod Tubes**



**Super Plates**



**Water Stop**



**PVC Cones**



**Rebar Protection Caps**



**Formwork Oil**



**Express Anchor**

# Thank you!

**COFFRAL  
ASIA**

**COFFRAL PHILIPPINES**



[www.coffral.ph](http://www.coffral.ph)

[inquiry@coffral.ph](mailto:inquiry@coffral.ph)

Unit 2701 Summit One Tower, 530 Shaw Blvd., Mandaluyong City, 1550, Philippines

**COFFRAL THAILAND**



[www.coffral.co.th](http://www.coffral.co.th)

[inquiry@coffral.co.th](mailto:inquiry@coffral.co.th)

72 soi Ratchada Niwet Yaek 3, Samsen Nok, Huai Khwang, Bangkok 10310, Thailand



FOLLOW US

[coffralasia](#)  
[coffralasia](#)  
[CoffralAsia](#)

Equipment Rental + Certified Operators + Doctor JLG

## AERIAL PLATFORMS

RENTAL SALES ENGINEERING TRAINING INSTALLATION SUPERVISION



SCISSOR LIFT



BOOM LIFT