



COFFRAL

The Access Specialists!



AERIAL PLATFORMS



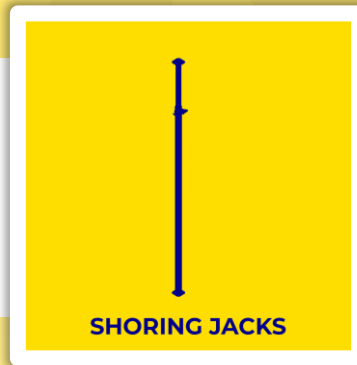
INDUSTRIAL RINGLOCK



GONDOLA



STAFLEX SHORING



SHORING JACKS



HEAVY DUTY SHORING



TRENCH SHORING



VERTICAL FORMWORK



CONSUMABLES



STORAGE



Coffral Shoring Jacks (Props)

Coffral **Shoring Jacks** (a.k.a. Adjustable Telescopic Steel Props) are used to apply support pressure on shoring surfaces, intended to hold the shape of the concrete or temporarily vertical support the pre-cast units. They have a high load-bearing capacity.

They are perfect for re-shoring or shoring flat slabs. In accordance with EN1065, they are available in two capacity types of load classes and a variety of lengths. Our shoring jacks are all hot-dipped galvanized.

Coffral Shoring Jacks (Props)

KEY DEFINITIONS:

Bending - is when a member is subject to transverse loading, then it undergoes internal stresses.

Buckling - is when a member is subjected to axial compression/ loading, then it distorts or collapses under physical pressure.



**Coffral Shoring Jacks
(Props) 20-350**



**Coffral Shoring Jacks
(Props) 20-550**



Coffral Shoring Jacks (Props)

- Technical Specifications
- Correct Knowledge is Key
- For Concrete Slab Shoring
- For Temporary Shoring
- Using Phenolic Plywood



Technical Specifications



Coffral Shoring Jack 20-350

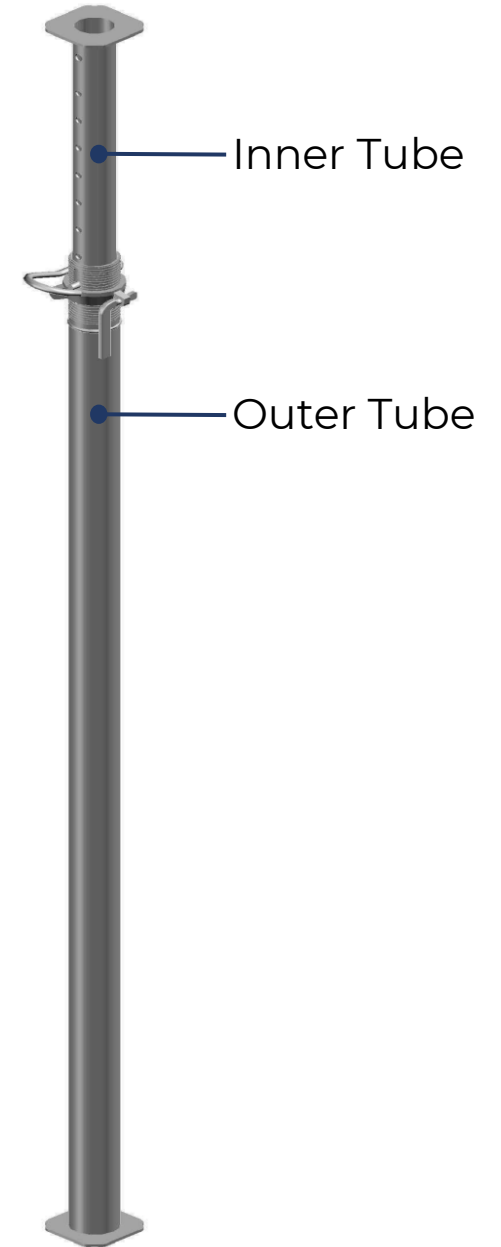
Prop Extension (m)	Coffral 20kN Props
3.50	20.00
3.40	
3.30	
3.20	
3.10	
3.00	
2.90	
2.80	
2.70	
2.60	
2.50	22.40
2.40	24.30
2.30	26.50
2.20	28.90
2.10	30.00
2.00	30.00

Coffral Shoring Jack 20-550

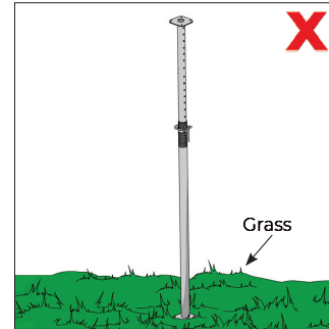
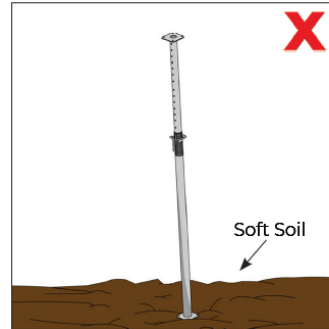
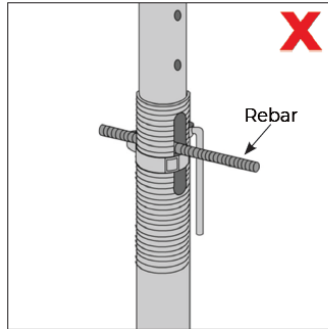
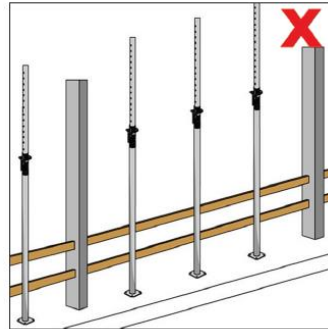
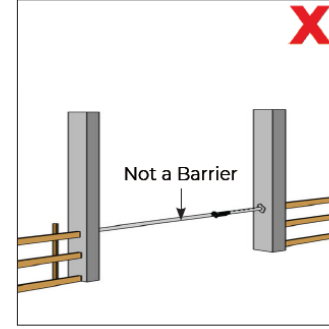
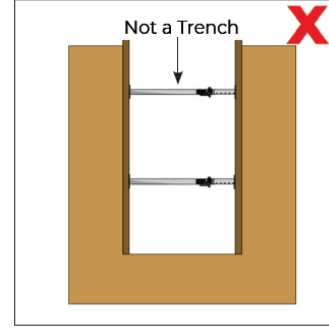
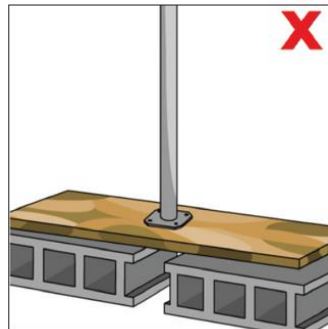
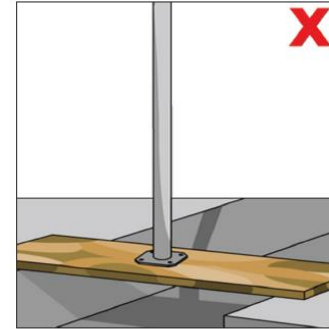
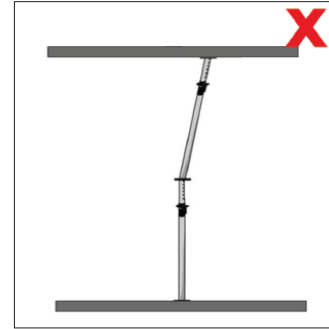
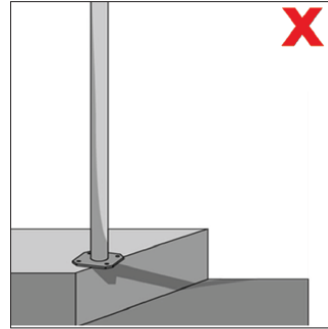
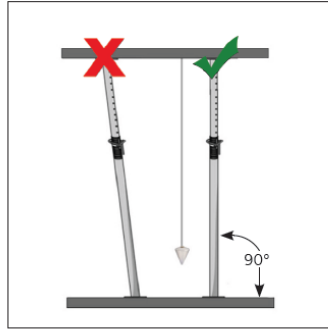
Prop Extension (m)	Coffral 20kN Props
5.50	20.00
5.40	
5.30	
5.20	
5.10	
5.00	
4.90	
4.80	
4.70	
4.60	
4.50	
4.40	
4.30	
4.20	
4.10	

Prop Extension (m)	Coffral 20kN Props
4.00	20.60
3.90	21.70
3.80	22.90
3.70	24.10
3.60	25.50
3.50	26.90
3.40	28.50
3.30	30.30
3.20	32.20
3.10	34.30
3.00	35.00

Load Class
CE EN1065



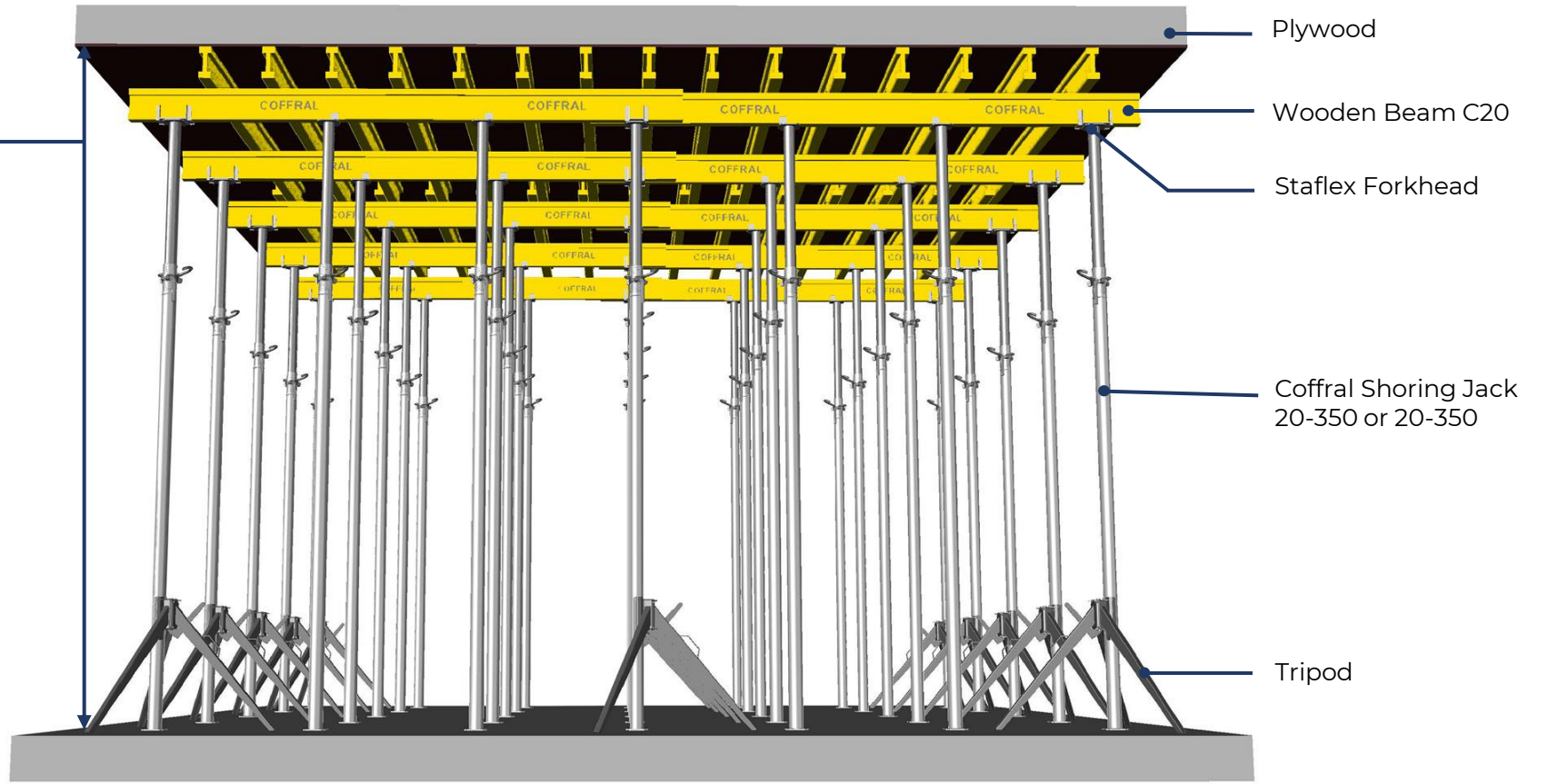
Correct Knowledge is Key



Coffral floor props for Concrete Slab Shoring

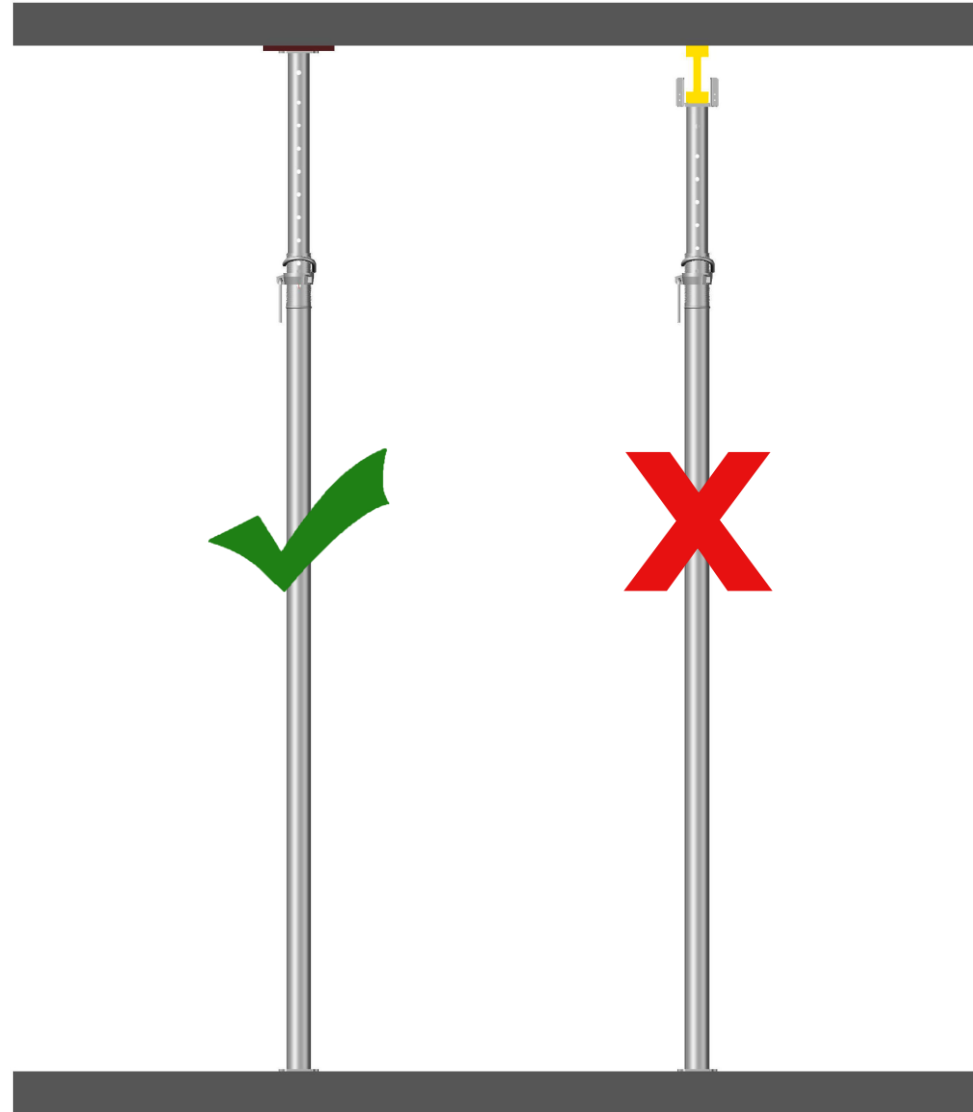


With Shoring Jack 20-350	Max 3.90m
	Min 1.90m
With Shoring Jack 20-550	Max 5.90m
	Min 3.20m



Coffral Telescopic Shoring Jacks (Props)

Coffral floor props for Temporary Shoring

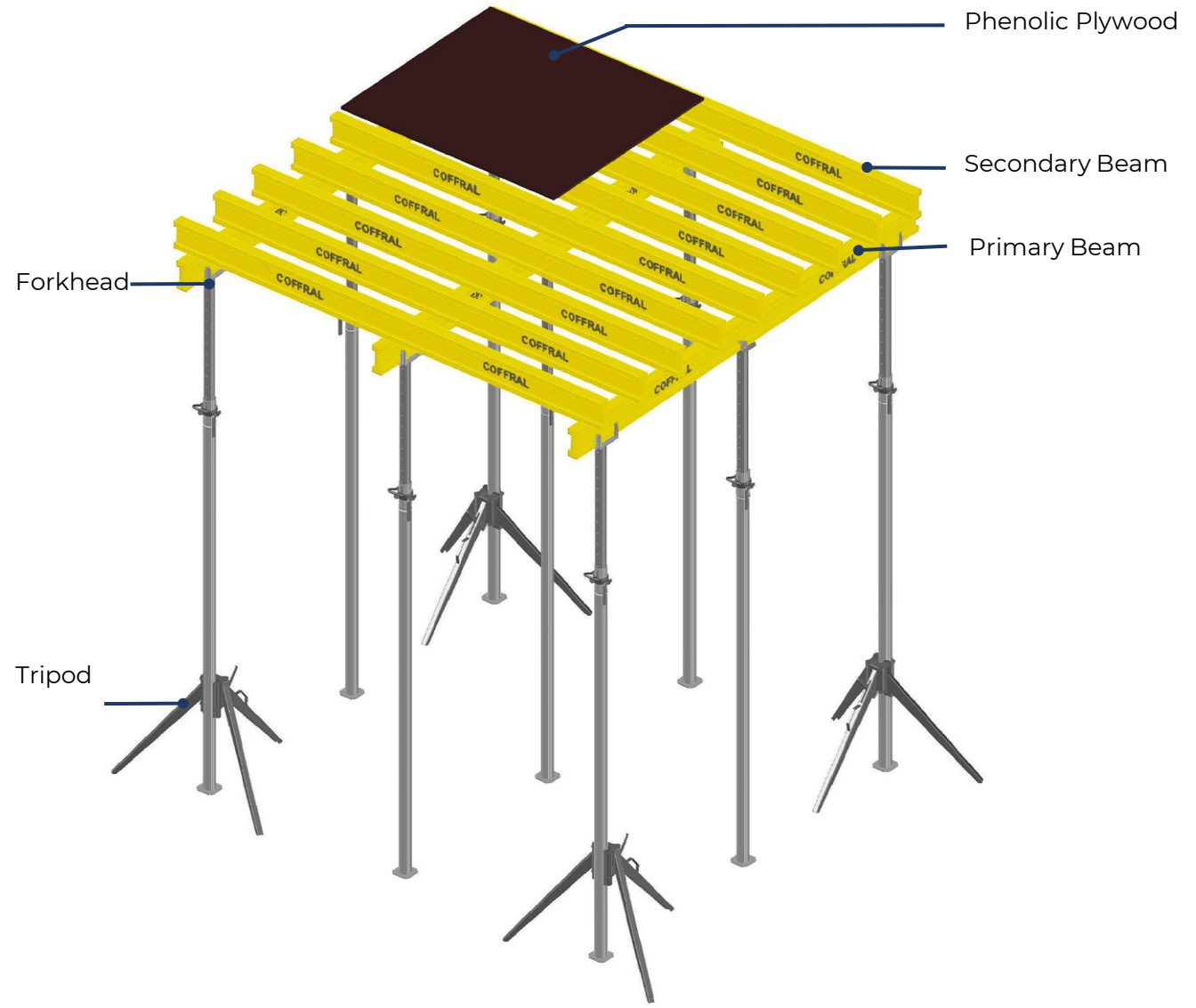


Shoring Jack Using Phenolic plywood



Basic Configuration:

Phenolic Plywood can be 22mm or 18mm



Thank you!

**COFFRAL
ASIA**

COFFRAL PHILIPPINES



www.coffral.ph

inquiry@coffral.ph

Unit 2701 Summit One Tower, 530 Shaw Blvd., Mandaluyong City, 1550, Philippines

COFFRAL THAILAND



www.coffral.co.th

inquiry@coffral.co.th

72 soi Ratchada Niwet Yaek 3, Samsen Nok, Huai Khwang, Bangkok 10310, Thailand



FOLLOW US

[coffralasia](#)
[coffralasia](#)
[CoffralAsia](#)

Equipment Rental + Certified Operators + Doctor JLG

AERIAL PLATFORMS

RENTAL SALES ENGINEERING TRAINING INSTALLATION SUPERVISION



SCISSOR LIFT



BOOM LIFT