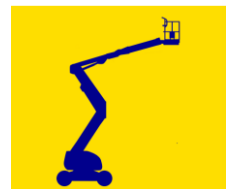




COFFRAL

The Access Specialists!



AERIAL PLATFORMS



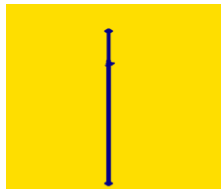
INDUSTRIAL RINGLOCK



GONDOLA



STAFLEX SHORING



SHORING JACKS



HEAVY DUTY SHORING



TRENCH SHORING



VERTICAL FORMWORK



CONSUMABLES



STORAGE



Coffral Industrial Ringlock Scaffold System

This **Industrial Ringlock Scaffold System** can be expanded in all directions, assembled to the required height, width and adjusted to the most complicated shapes. This is to create a scaffold suited to your company's access need.

Coffral Industrial Ringlock System can reach a height of up to 150 meters.
Coffral Industrial Ringlock System improves installation speed of up to 70%.
Coffral Industrial Ringlock System is highly reliable and proven to be safe.

Coffral Industrial Ringlock Scaffold System

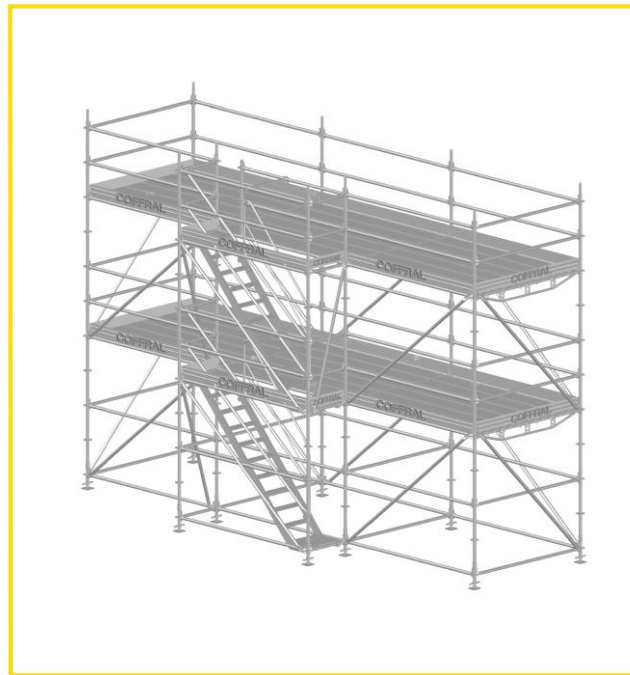
KEY DEFINITIONS

Access – means working at heights.

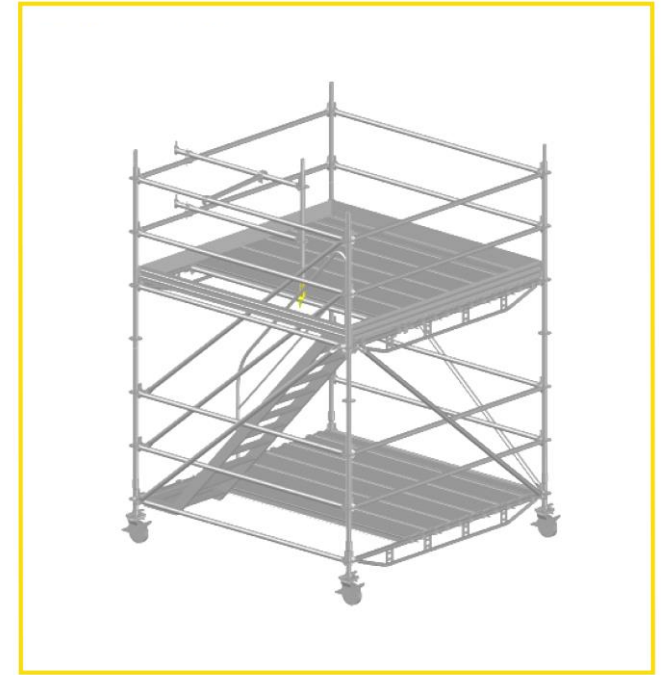
The 3s for designing & calculating any scaffold:

1 Strength **2** Stability **3** Stiffness

Node Point – a point on vertical standard where the transom, the ledger and the diagonal meet. Any anchor can only be at maximum distance of 250mm from a node point.



**Free Standing
Ringlock Scaffold**



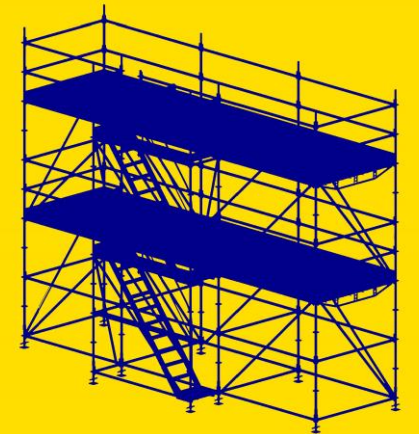
**Mobile
Ringlock Scaffold**



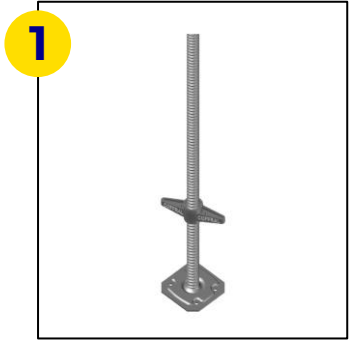
Coffral Industrial Ringlock Scaffold System

Main Components

- Base Jack
- Base Collar
- Standard
- Ledger
- Double Ledger
- Steel Deck
- Intermediate Transom
- Aluminum Stairs
- Inner Guardrail for Aluminum Stairs
- Vertical Diagonal
- Steel Toeboard

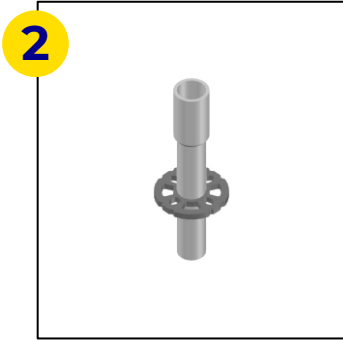


Ringlock Scaffold System



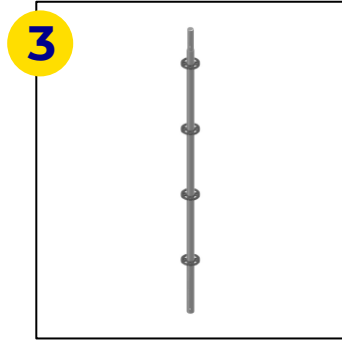
1

Base Jack



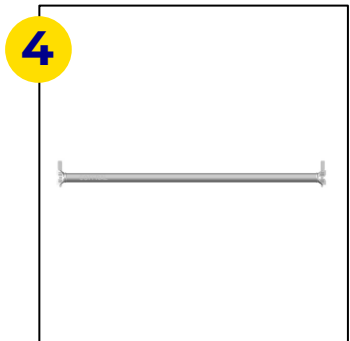
2

Base Collar



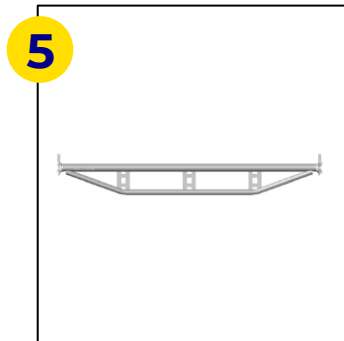
3

Standard



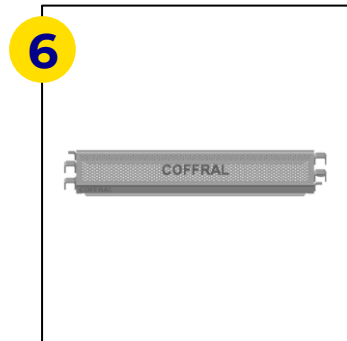
4

Ledger



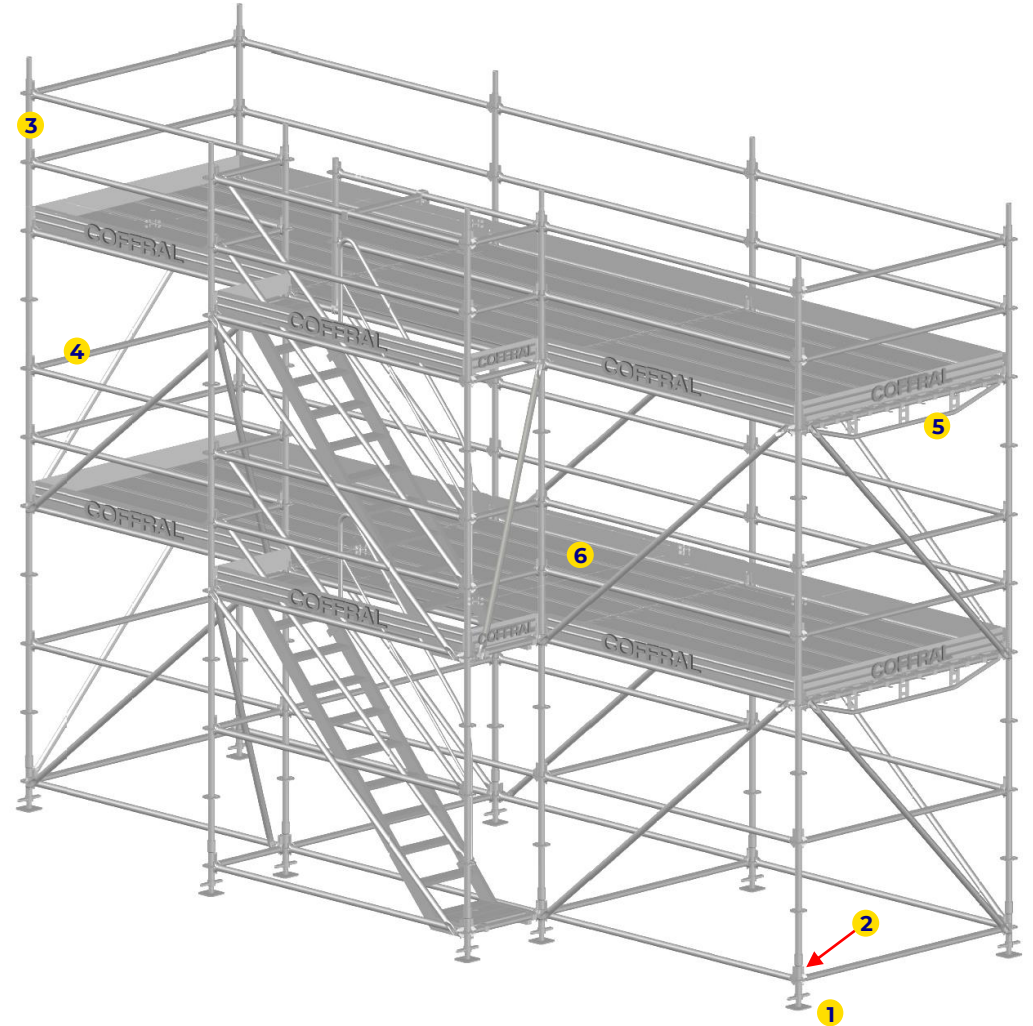
5

Double Ledger

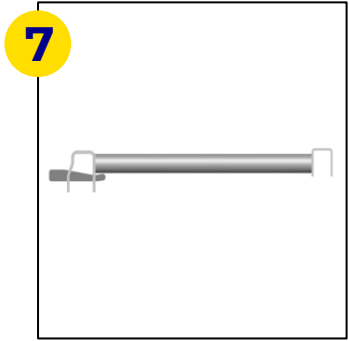


6

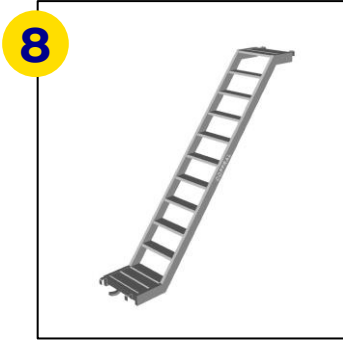
Steel Deck



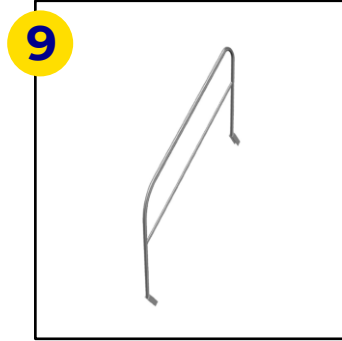
Ringlock Scaffold System



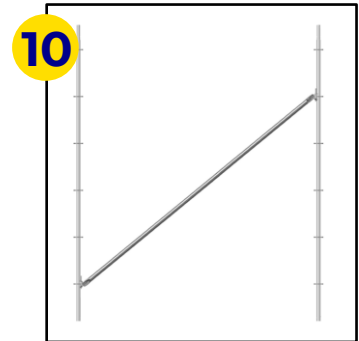
Intermediate Transom



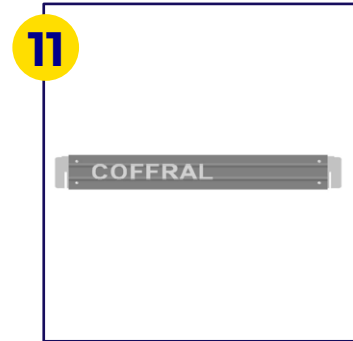
Aluminum Stair



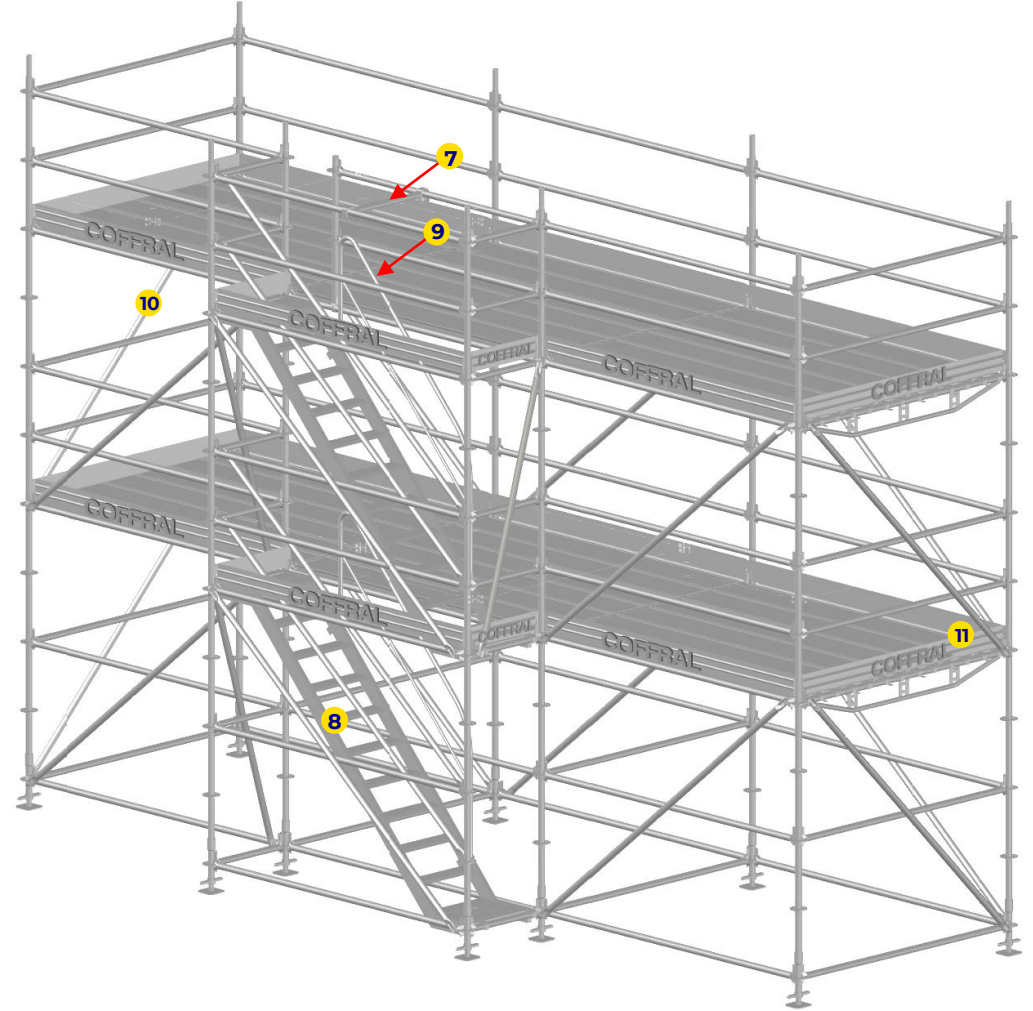
**Inner Guardrail
For Aluminum**



Vertical Diagonal



Steel Toeboard



Infinite Applications



• CERTIFICATIONS

CE EN-12810 - EN12811



• ENDLESS DESIGN POSSIBILITIES



• INCREASE PERFORMANCE



• OVERALL SAFETY



• SAVE TIME AND MONEY

1 Lighter per m³*

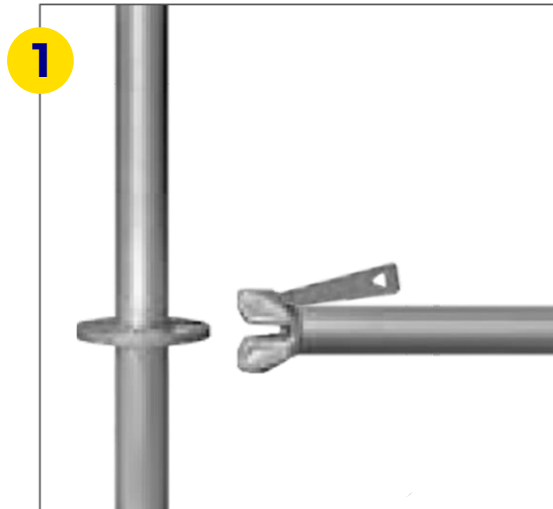
2 Less components required*

3 Faster to install and dismantle*

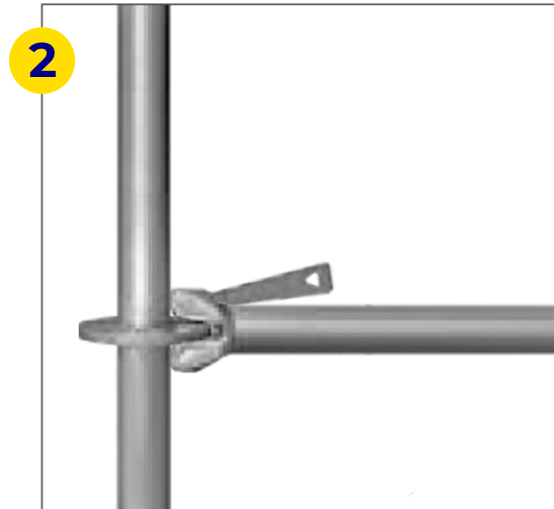
**than the traditional scaffold.*



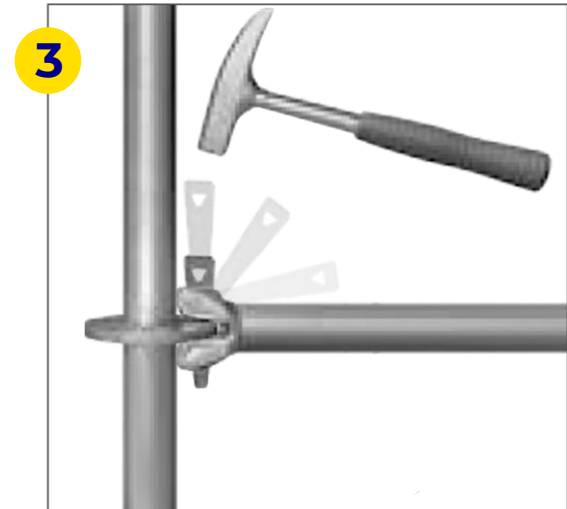
Ringlock Installation Guide



1
Slide the wedge head over the rosette.



2
Insert the wedge into a hole. The component is secure against shifting and falling out.



3
Hammer down the wedge to provide a non-positive connection (use metal hammer of min. 500g until the blow bounces off).



Coffral Industrial Ringlock Mobile Scaffold

Main Component

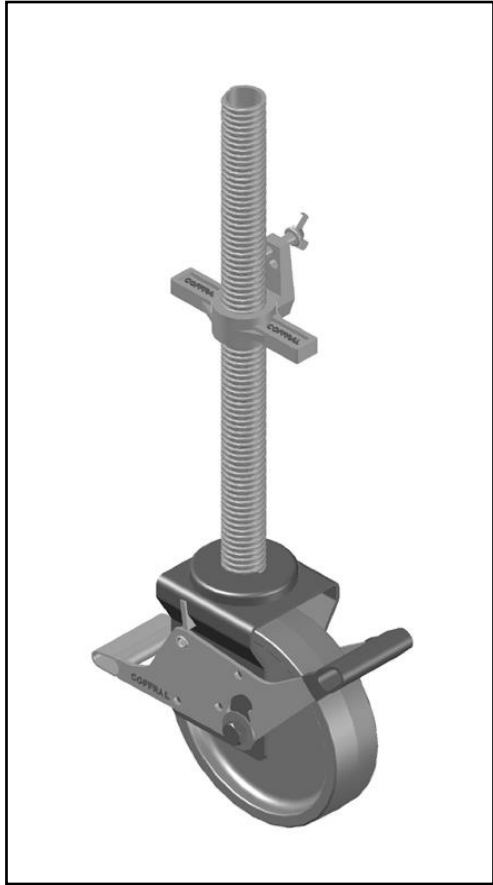
- Ringlock Caster Wheel

QUALIFICATIONS FOR USE

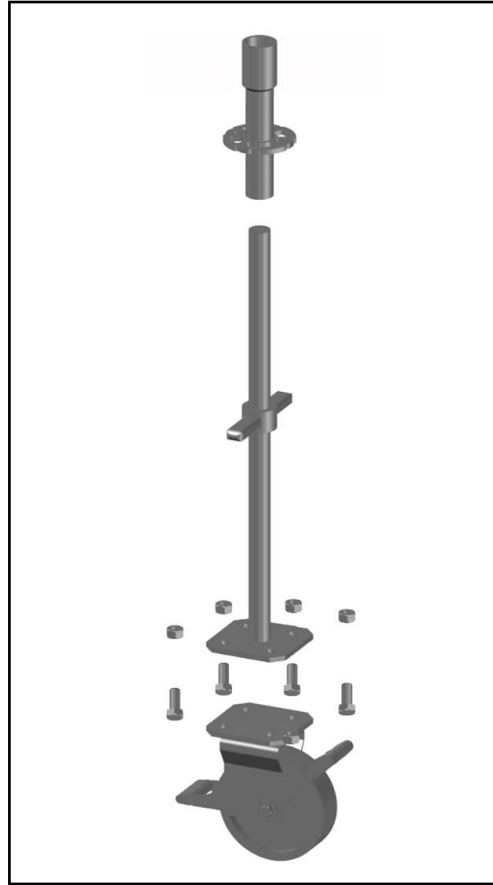
- Concrete floor only.
- Flat floor (never on a slope).
- Less than 10.20m reachable height.
- Practical for painting work, sandblasting, and waterproofing, all at low heights.
- Not practical for changing light bulbs.



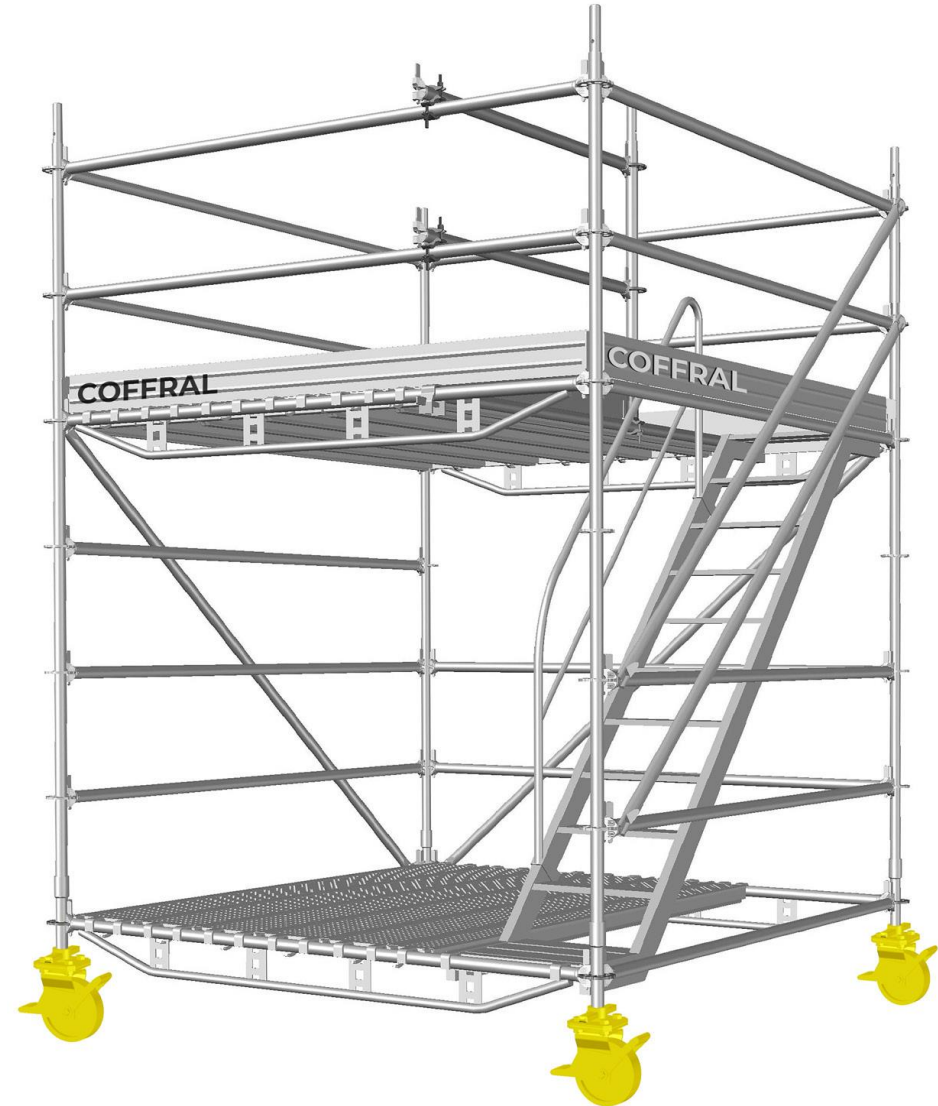
Ringlock Caster Wheel



Old Generation
Ringlock Caster Wheel



New Generation
Ringlock Caster Wheel



CHAMPION PROJECTS





INDUSTRIAL RINGLOCK

GMA Network Center Building Maintenance



2021 - 2022 | 📍 GMA Network Center EDSA corner Timog Ave., Quezon City



**Coffral Ringlock
Access Tower**



Republic Cement Plant Refurbishment & Expansion

2018 - 2020 |  Norzagaray, Bulacan 

**Coffral Ringlock
for Industrial works**

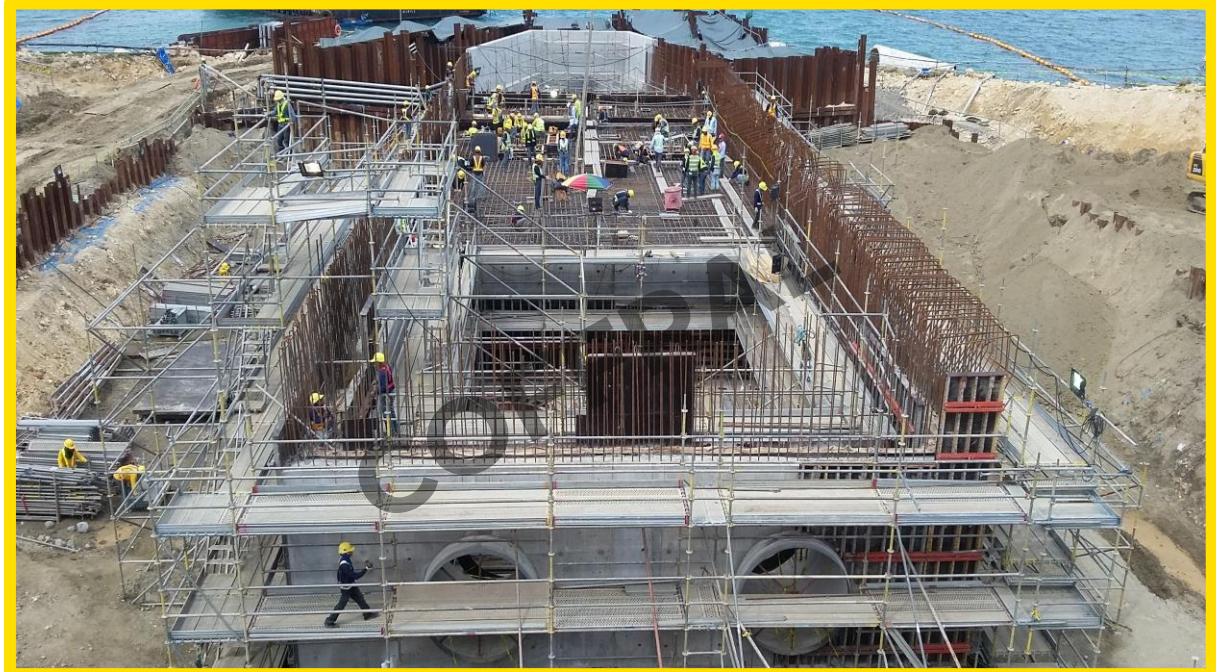


Malolos Clark Railway

2021 - 2023 | 📍 Clark - San Fernando, Pampanga



Coffral Ringlock Jacket Scaffolding



Pagbilao Power Plant

2015 - 2016 | 📍 Pagbilao, Quezon, Philippines



**Coffral Ringlock
Facade Scaffolding**

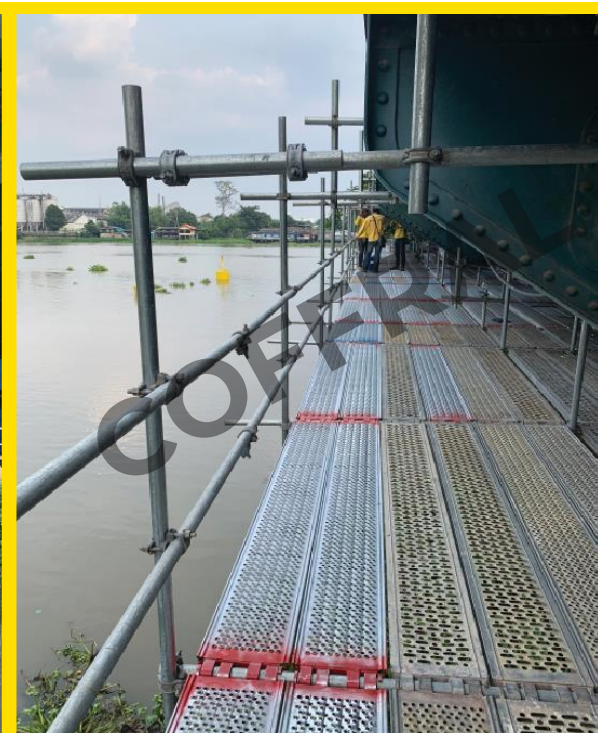


Pagbilao Power Plant

2015 - 2016 |  Pagbilao, Quezon, Philippines





**Coffral Ringlock
Circular Scaffolding**



INDUSTRIAL RINGLOCK

Nonthaburi Bridge

2019 |  Nonthaburi, Thailand 

**Coffral Ringlock
Hanging Scaffolding**



INDUSTRIAL RINGLOCK

Southern Ocean Vessel Repair

2022 | 📍 Offshore | Manila Bay, Philippines



**Coffral Ringlock
for Offshore work**

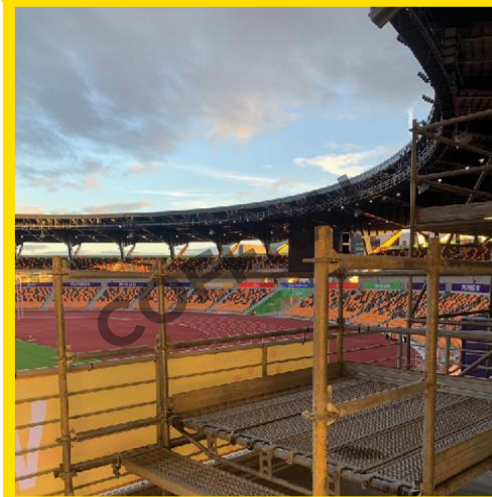
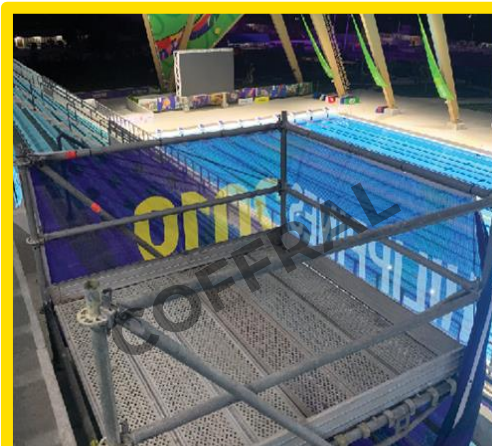


Intermat Asean – Construction Expo

2017 | 📍 Muang Thong Thani (Impact Arena)



**Coffral Ringlock
for Banner Display**



Annual Fire Prevention Event

2014 - 2015 | 📍 Marikina City, Philippines



Coffral Ringlock Birdcage Scaffolding



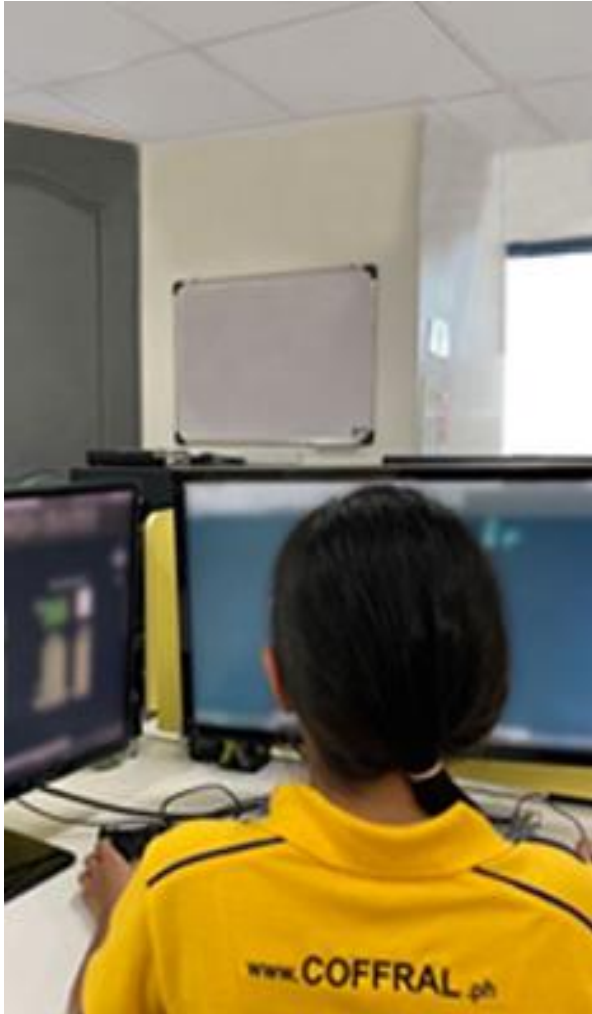
Southeast Asian Games 2019

2019 | 📍 The Philippine Arena in Bocaue, Bulacan, Philippines



Coffral Mobile Scaffolding

FULL PACKAGE



**AutoCAD
Design**



Engineering



Installation



Dismantling

Thank you!

**COFFRAL
ASIA**

COFFRAL PHILIPPINES



www.coffral.ph

inquiry@coffral.ph

Unit 2701 Summit One Tower, 530 Shaw Blvd., Mandaluyong City, 1550, Philippines

COFFRAL THAILAND



www.coffral.co.th

inquiry@coffral.co.th

72 soi Ratchada Niwet Yaek 3, Samsen Nok, Huai Khwang, Bangkok 10310, Thailand



FOLLOW US

[coffralasia](#)
[coffralasia](#)
[CoffralAsia](#)

Equipment Rental + Certified Operators + Doctor JLG

AERIAL PLATFORMS

RENTAL SALES ENGINEERING TRAINING INSTALLATION SUPERVISION



SCISSOR LIFT



BOOM LIFT