



COFFRAL

The Access Specialists!



AERIAL PLATFORMS



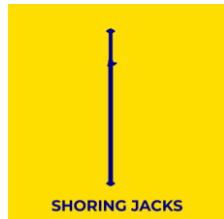
INDUSTRIAL RINGLOCK



GONDOLA



STAFLEX SHORING



SHORING JACKS



HEAVY DUTY SHORING



TRENCH SHORING



VERTICAL FORMWORK



CONSUMABLES



STORAGE



Coffral Racks and Crates

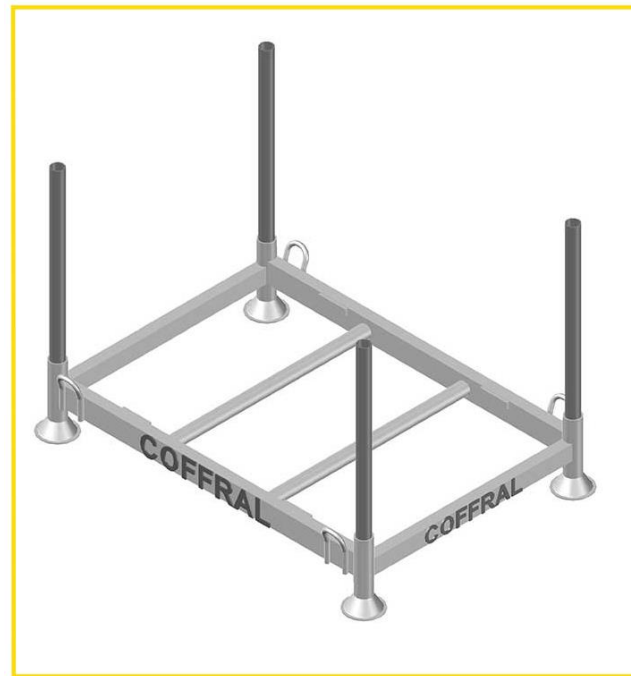
Coffral **Racks and Crates** are used as storage for construction materials. Can be stacked vertically with up to 6 racks high to help maximize warehouse space and improve efficiency of personnel in the company's warehouse.

Coffral Racks and Crates

Step-by-Step Process

The Coffral Racks and Crates are designed to transport and carry 2,500kg each.

- 1 Prepare a flat underground that can easily bear the load like concrete surfaces.
- 2 Ensure that all the legs have identical lengths in order for the racks to be placed horizontally.
- 3 Racks of 2,500kg each can be stacked at a maximum of 6 crates/racks, except:--
 - If the ground is not flat.
 - If the soil is soft.
 - If extreme weather occurs, such as strong wind.
- 4 Plan the rack or crate's positioning to facilitate the Forklift access.



Racks

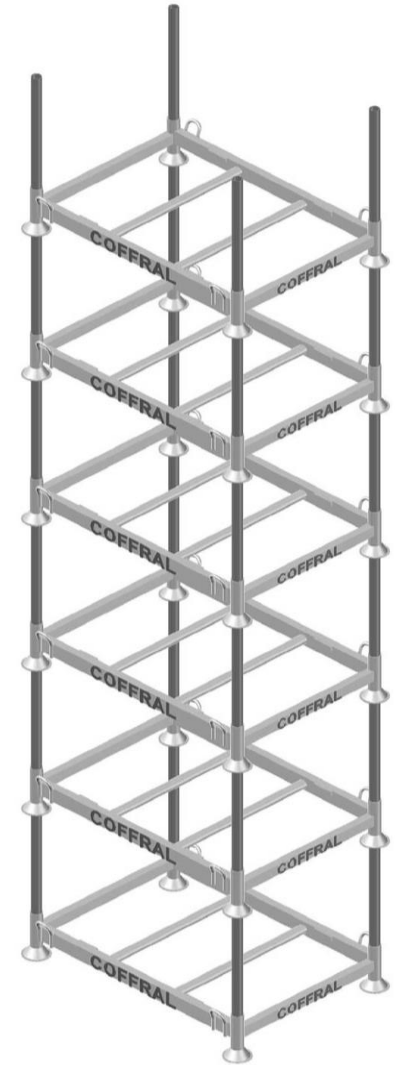
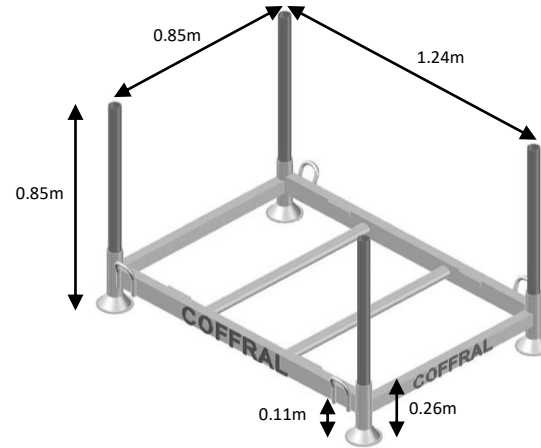


Crates

Racks



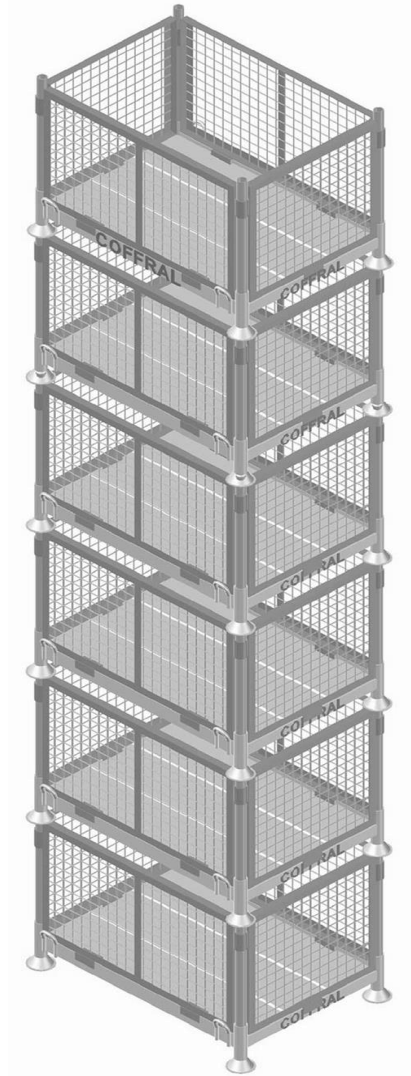
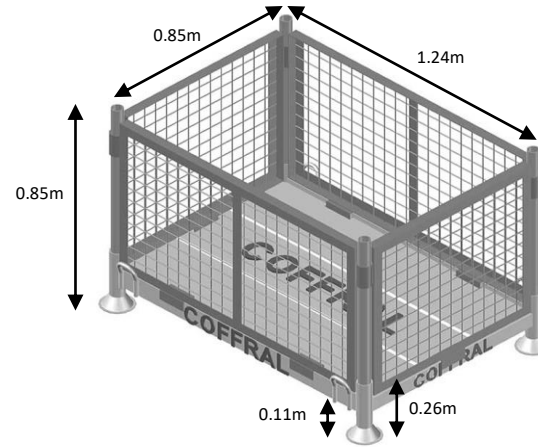
Can stack up to 6 Racks



Crates



Can stack up to 6 Crates



Thank you!

**COFFRAL
ASIA**

COFFRAL PHILIPPINES



www.coffral.ph

inquiry@coffral.ph

Unit 2701 Summit One Tower, 530 Shaw Blvd., Mandaluyong City, 1550, Philippines

COFFRAL THAILAND



www.coffral.co.th

inquiry@coffral.co.th

72 soi Ratchada Niwet Yaek 3, Samsen Nok, Huai Khwang, Bangkok 10310, Thailand



FOLLOW US

[coffralasia](#)
[coffralasia](#)
[CoffralAsia](#)

Equipment Rental + Certified Operators + Doctor JLG

AERIAL PLATFORMS

RENTAL SALES ENGINEERING TRAINING INSTALLATION SUPERVISION



SCISSOR LIFT



BOOM LIFT